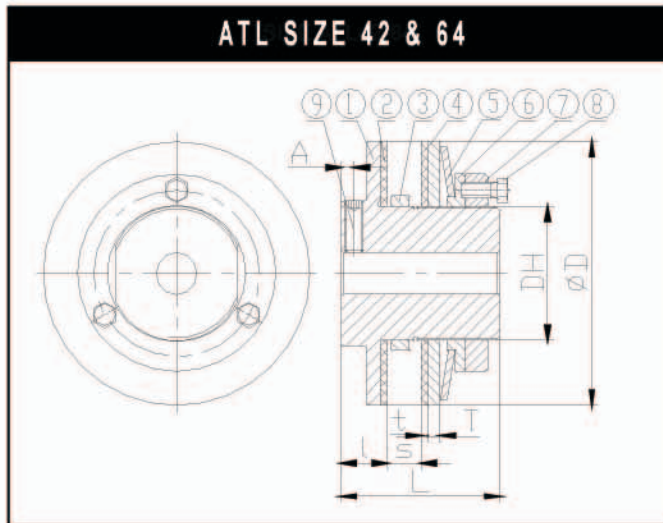
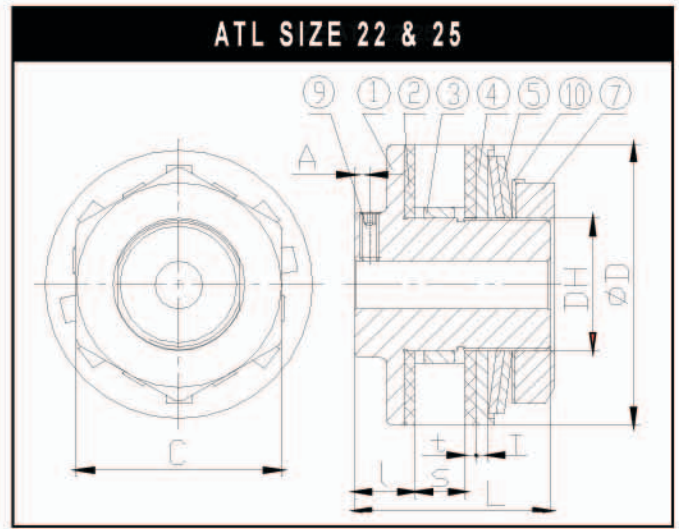
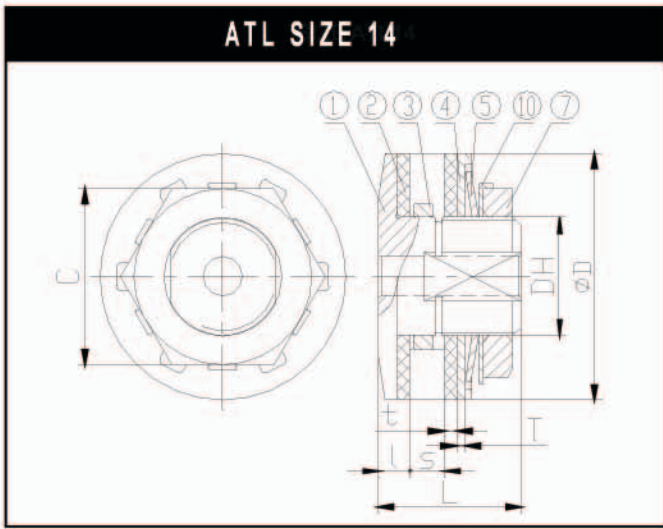


# AROFLEX ATL

## Friction Disc Torque Limiters



- Description of parts**
- ① Hub
  - ② Friction Disc
  - ③ Bush
  - ④ Pressure Plate
  - ⑤ Disc Spring
  - ⑥ Pilot Plate
  - ⑦ Adjustment Nut
  - ⑧ Adjustment Bolt
  - ⑨ Set Screw
  - ⑩ Lock Washer

### Dimensions and Capacity for Sizes ATL14 to ATL64

ATL Size	Torque Rating		Plain Bore	Max Bore	Bush Length	OD of Bush	Bore for Centre Member		D	DH	L	I	T	t	S (Max)	A	C	Adjust Nut	Adjust Bolt	Set Screw	Weight (kg)	
	Min Nm	Max Nm																				
14-1	2.94	9.88	8	14	3.8	30	-0.020	30	50	24	29	6.5	1.6	2.5	7	-	36	M24 P1.0	-	-	0.248	
14-2	6.86	19.61			6.0		-0.041														0	0.256
22-1	6.86	27.46	10	22	6.0	41	-0.025	41	65	35	48	16.0	4.0	3.2	9	4.0	50	M35 P1.5	-	M5	0.721	
22-2	13.73	53.94			8.0		-0.050														0	0.739
25-1	19.61	74.53	17	25	6.0	49	-0.025	49	89	42	62	19.0	4.0	3.2	16	5.0	65	M42 P1.5	-	M6	2.417	
25-2	34.32	149.06			8.0		-0.050														0	2.477
					9.5																	
					14.5																	
42-1	47.07	209.86	20	42	6.0	74	-0.030	74	127	65	76	22.0	6.0	3.2	16	6.0	-	M65 P1.5	M8 P1.0 3pcs	M8	3.692	
42-2	88.26	420.71			8.0		-0.060														0	3.858
					9.5																	
					14.5																	
64-1	115.72	569.77	30	64	8.0	105	-0.036	105	178	95	98	24.0	7.0	3.2	29	6.5	-	M95 P1.5	M10 P1.25 3pcs	M10	9.033	
64-2	223.59	1088.54			9.5		-0.071														0	9.436
					14.5																	
					17.0																	
					22.0																	