

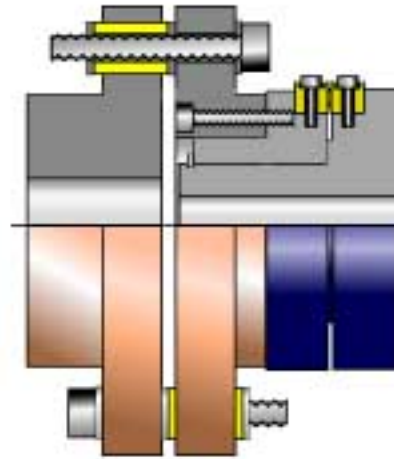
AROFLEX SHEAR TORQUE COUPLING

SRB TYPE SHEAR TORQUE COUPLING

AROFLEX SHEAR TORQUE LIMITER COUPLINGS type **SRB (Pin & Bush type)** couplings are supplied bored and keywayed to customer requirements.

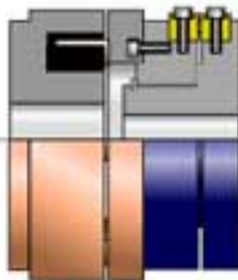
Standard Units for shear torques up to 23,000 Nm. Torque is adjustable by Wedge Pin ratings.

All Dimensions in mm.



Complete Shear Limiter Ref	Shear Limiter Ref	RB Coupling	Torque Nm	Max Shear Torque Nm	Wedge Pin	Max Dia mm	Length mm	Max Bore Coupling	Max Bore Shear Limiter	DBSE mm
SRB – 350/125	S350	RB – 125	331	983	3 x W37	125	117	42	30	2-6
SRB – 350/144	S350	RB – 144	535	1605	3 x W37	144	122	50	30	2-6
SRB – 350/162	S350	RB – 162	637	1911	3 x W37	162	127	55	30	2-6
SRB – 500/178	S500	RB – 178	872	2616	3 x W37	178	147	65	45	2-6
SRB – 500/198	S500	RB – 198	1275	2800	3 x W37	198	157	80	45	2-6
SRB – 700/228	S700	RB – 228	2050	6150	3 x W50	228	187	85	70	4-10
SRB – 700/252	S700	RB – 252	3070	7700	3 x W50	252	197	100	70	4-10
SRB – 950/320	S950	RB – 320	6100	18300	3 x W75	320	261	125	100	4-10
SRB – 950/360	S950	RB – 360	8900	23000	3 x W75	360	276	135	100	4-12
SRB – 950/400	S950	RB – 400	12051	23000	3 x W75	400	296	160	100	4-12

NFS TYPE SHEAR TORQUE COUPLING



AROFLEX SHEAR TORQUE LIMITER COUPLINGS type **NFS Jaw Couplings** are supplied bored and keywayed to customer requirements.

Standard Units for shear torques up to 23,000 Nm. Torque is adjustable by Wedge Pin ratings.

Model	Nom Drive Nm	Max Release Nm	Wedgopin	PWR	Dia	Bores		Length	Min
						Max	Max		Shaft Gap
NFS 350-110	400	2100	3 x W37	35	110	48	30	100	3
NFS 500-125	600	2800	3 x W37	47	125	55	45	117	3
NFS 700-180	2200	7700	3 x W50	66	180	75	70	162	4
NFS 700-225	5000	7700	3 x W50	66	225	90	70	195	4
NFS 950-250	7000	23000	3 x W75	97	250	100	100	230	6